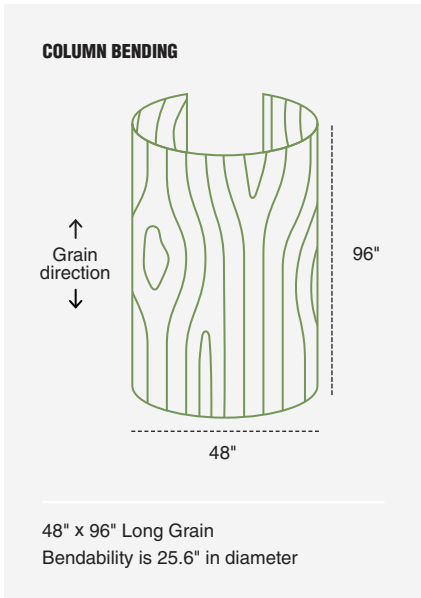
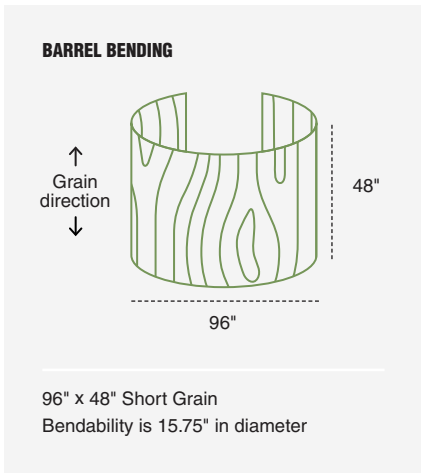


Bending Plywood

Specifications



ORIGIN	Malaysia
SPECIES	Ceiba
CORE	Ceiba
FACE/BACK	Ceiba
FORMAT	Barrel, Column
THICKNESS	8mm
# OF PLYS	5
THICKNESS VARIATION	7.5mm-8.2mm
SIZE	96" x 48" (Barrel Short Grain) 48" x 96" (Column Long Grain)
VENEER CUT	Jointed Veneer
VENEER THICKNESS	2.0mm
SURFACE SANDING	240-320 grit finish
GLUE TYPE	Interior, TSCA Title VI
MOISTURE CONTENT	<12%
SHEET PER CRATE	110
APPLICATIONS	Columns and arches, curved cabinetry, rounded furniture



Based on availability, USply reserves the right to substitute product that may vary in species, core, country of origin, and/or other specifications.